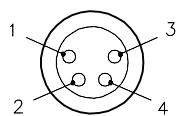
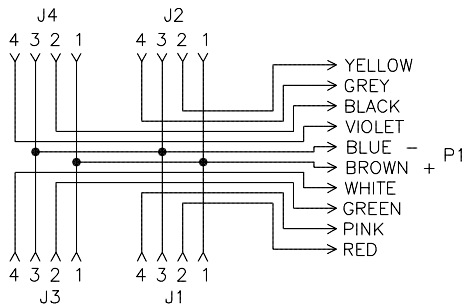


FEMALE END VIEW



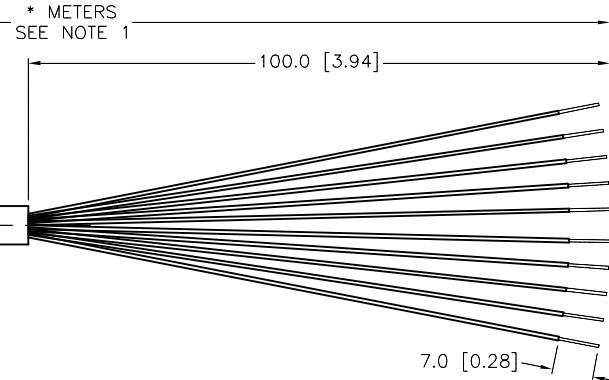
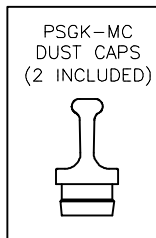
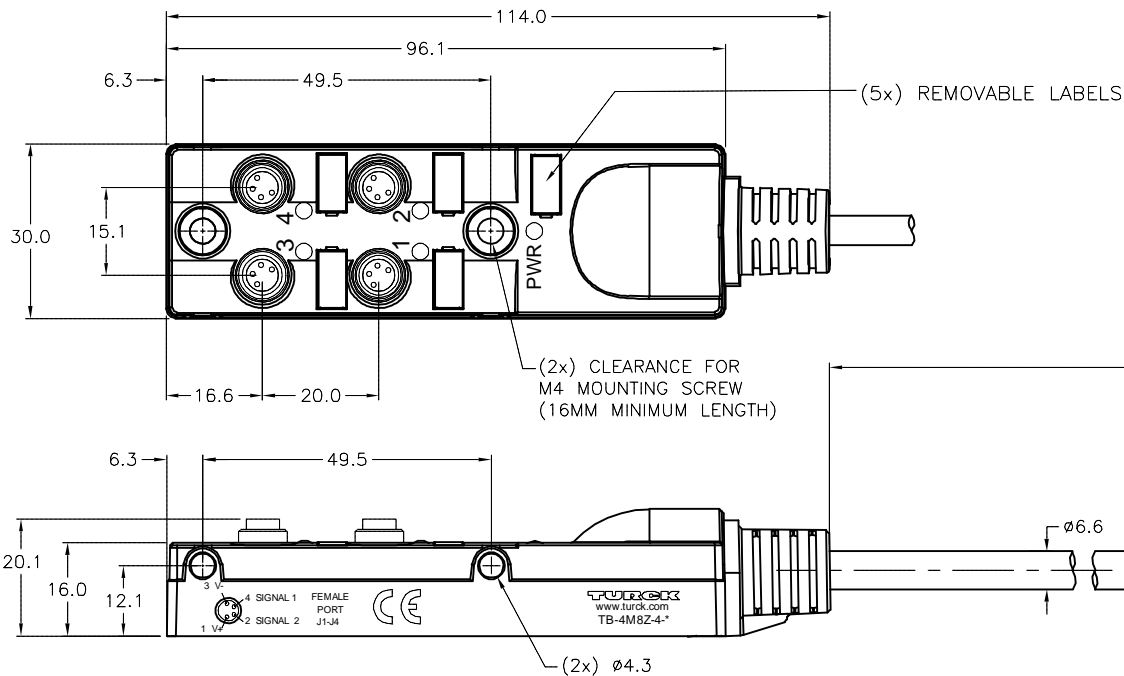
(J1-J4)

WIRING DIAGRAM



SPECIFICATIONS

HOUSING MATERIAL/COLOR	NYLON/BLACK
CONTACT CARRIER MATERIAL	NYLON (J1-J4)
CONTACTS MATERIAL/PLATING	BRASS/GOLD
OPERATING VOLTAGE	30 VDC
OPERATING CURRENT	2.0 A PER SIGNAL/6.0 A TOTAL
PROTECTION CLASS to DIN 40050	IEC IP67: ONLY WHEN ALL RECEPT ARE COVERED WITH PLUGS OF CONNECTED
OPERATING TEMPERATURE	-40°C to +85°C (-40°F to +185°F)
CABLE DATA	
NUMBER OF CONDUCTORS	10x24 AWG
CONDUCTOR INSULATION MATERIAL	PVC
CABLE JACKET MATERIAL/COLOR	PVC/BLACK



CABLE LENGTH	TOLERANCE*
ALL LENGTHS	+ 4% (OR 50mm) OF LENGTH - 0% (OR 0mm) OF LENGTH WHICHEVER IS GREATER
STRIP LENGTH	TOLERANCE*
0-7mm	±0.5mm
8-29mm	±1.0mm
30-49mm	±2.0mm
50-69mm	±3.0mm
70-100mm	±4.0mm
OVER 100mm	±5.0mm

* UNLESS OTHERWISE SPECIFIED

NOTES:

1. "*" INDICATES CABLE LENGTH IN METERS. CONTACT TURCK TO ORDER SPECIFIC LENGTHS.

SOURCE DRAWING - FOR REFERENCE ONLY

RELATED DOCUMENTS 1. 2. 3. 4.	3RD ANGLE PROJECTION 	THIS DRAWING IS CONFIDENTIAL AND THE PROPERTY OF TURCK INC. USE OF THIS DOCUMENT WITHOUT WRITTEN PERMISSION IS PROHIBITED.		TURCK 3000 CAMPUS DRIVE MINNEAPOLIS, MN 55441 1-800-544-7769 (763) 553-7300 (763) 553-0708 fax www.turck.us	
		DRFT	RDS		
MATERIAL SEE SPECIFICATIONS	ALL DIMENSIONS DISPLAYED ON THIS DRAWING ARE FOR REFERENCE ONLY	APVD	L.F.	SCALE	1=1.3
FINISH SEE SPECIFICATIONS		UNIT OF MEASUREMENT MILLIMETERS		DESCRIPTION TB-4M8Z-4-*	
		CONTACT TURCK FOR MORE INFORMATION		IDENTIFICATION NO.	
		DO NOT SCALE THIS DRAWING		REV B	
B ADDED CE		ER 01/14/19		68151	
REV DESCRIPTION		BY DATE		ECO NO.	
		FILE: 777038941		SHEET 1 OF 1	